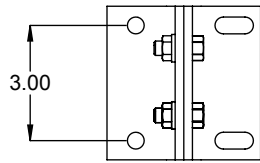
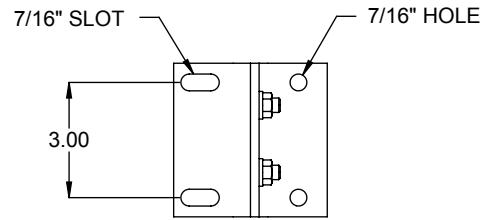


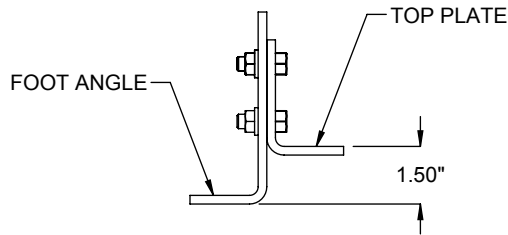
LOAD CAPACITY: 1500 LB. MAXIMUM LOAD PER SUPPORT.



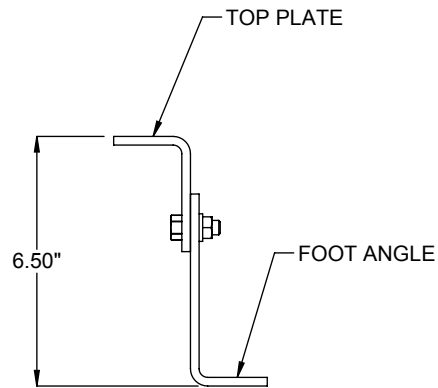
TOP VIEW
CONDITION "A"



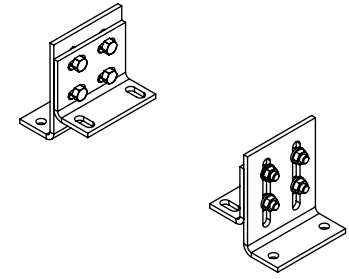
TOP VIEW
CONDITION "B"



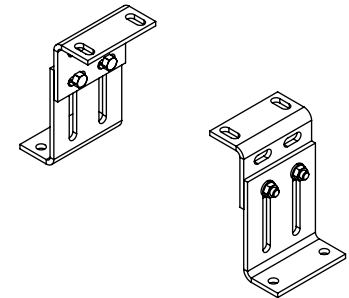
FRONT VIEW
CONDITION "A"



FRONT VIEW
CONDITION "B"



CONDITION "A"



CONDITION "B"

SPL: HEIGHT RANGE		
MODEL	MIN.	MAX.
CONDITION "A"	0.50"	3.00"
CONDITION "B"	3.00"	6.50"

SPECIFICATIONS	
CONSTRUCTION:	Formed steel foot angle, 4ga.
TOP PLATE:	Standard 4ga fixed top plate.
FINISH:	Standard finish is OSHA safety blue powder. <u>Optional colors</u> include green, beige, gray, orange, black and yellow.

Model: SPL – Support, Low Elevation

REV	
0	